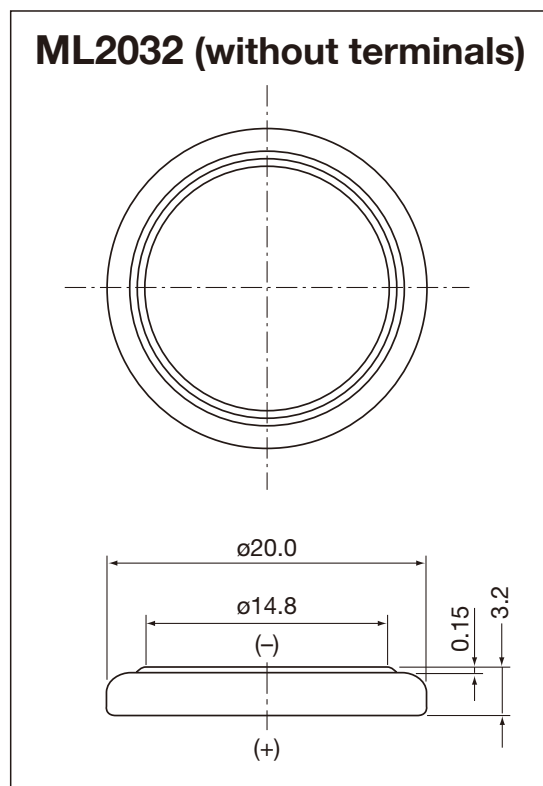


# ML2032 (65mAh)

## Diagrams of Batteries with Terminals

### External Dimensions (unit: mm)

● Horizontal & Through hole Type



ML2032 T6	ML2032 T6 TUBE	ML2032 T14
ML2032 T25	ML2032 T32	

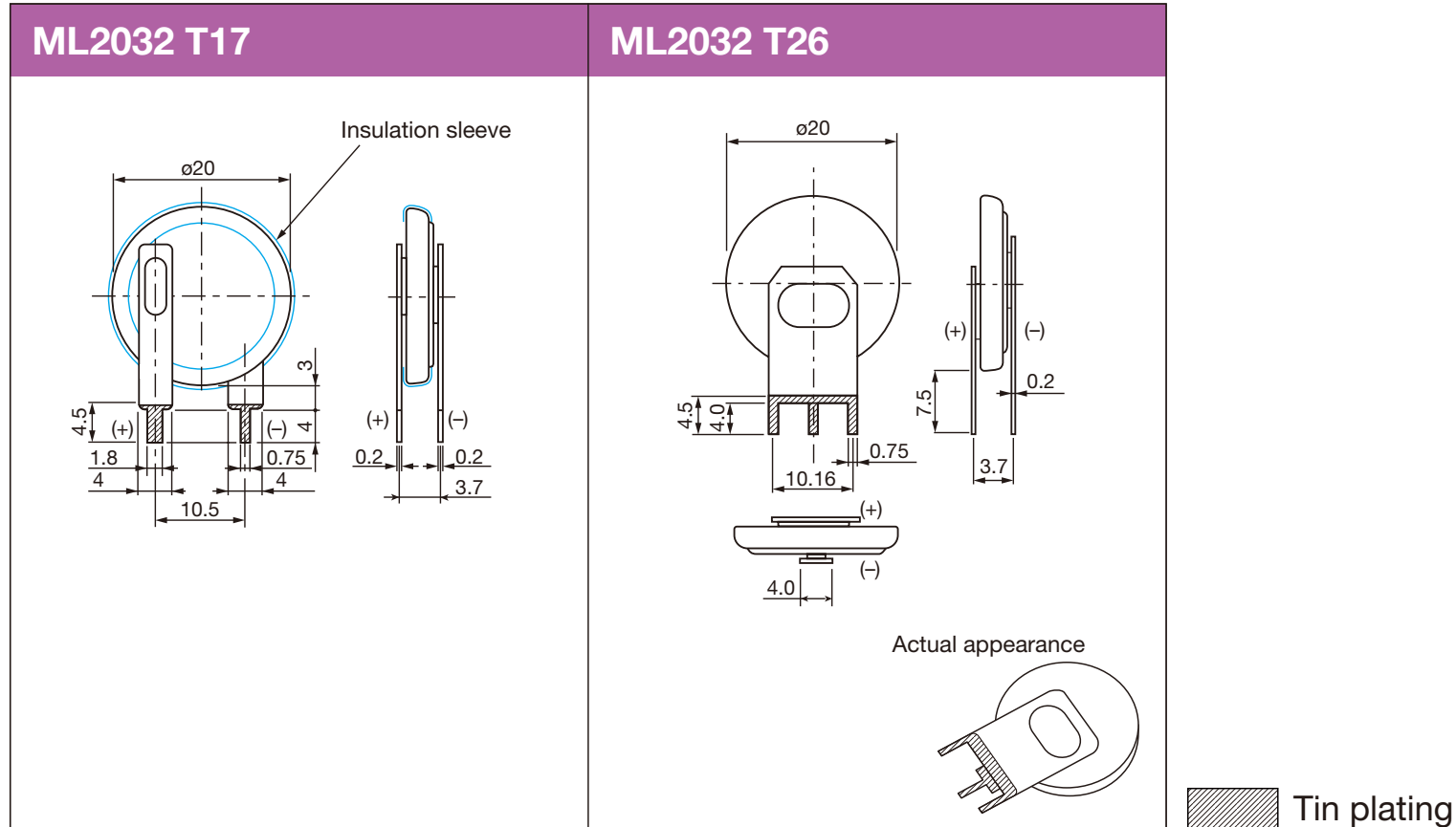
Tin plating

# ML2032 (65mAh)

## Diagrams of Batteries with Terminals

### External Dimensions (unit: mm)

● Vertical & Through hole Type

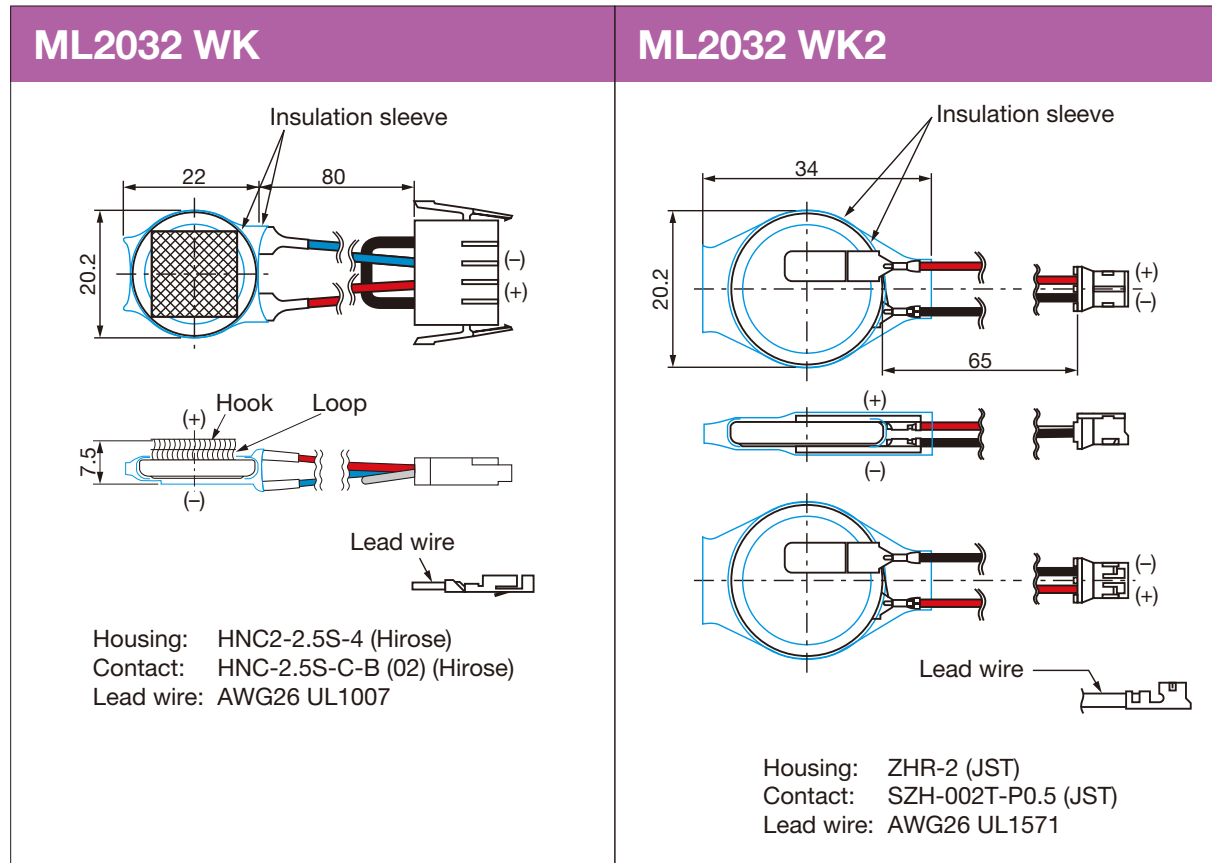


# ML2032 (65mAh)

## Diagrams of Batteries with Terminals

### External Dimensions (unit: mm)

● Wire connector Type



Tin plating