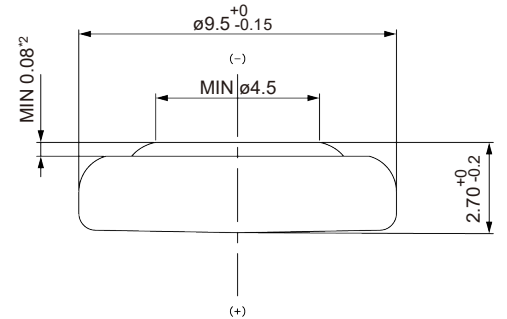


Silver Oxide Batteries

# Data Sheet

# SR927W

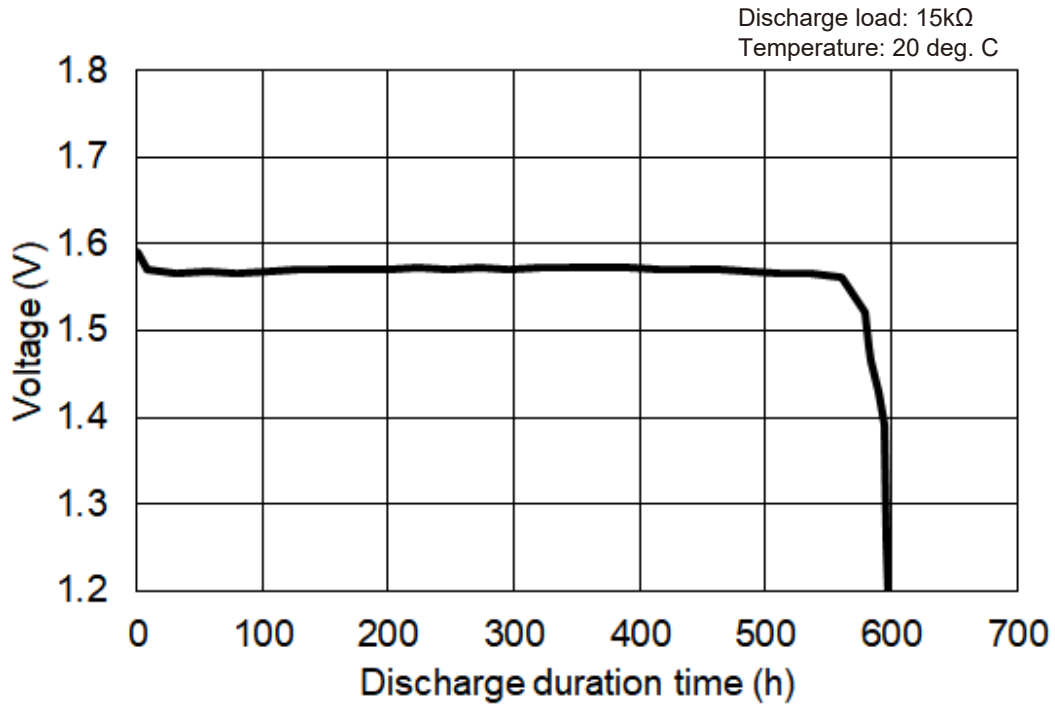
Model	SR927W
System	Zinc / Silver oxide
Nominal Voltage (V)	1.55
Nominal Capacity (mAh)*1	60
Nominal Discharge Current (μA)	100
Operating Temperature Range (deg. C)	-10 to +60
Dimensions (mm)	
Diameter	9.5
Height	2.73
Weight (g)	0.8



\*2 The dimension is measured from the top surface of the negative can.

## Characteristics

### ● Discharge Curve



\*1 Nominal capacity indicates the duration until the voltage drops to 1.2 V when discharged at a nominal discharge current at 20 deg. C.