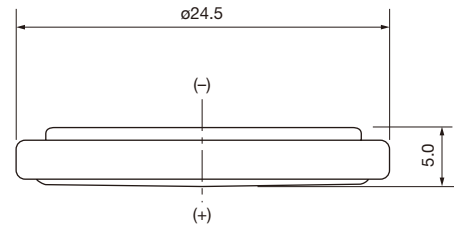


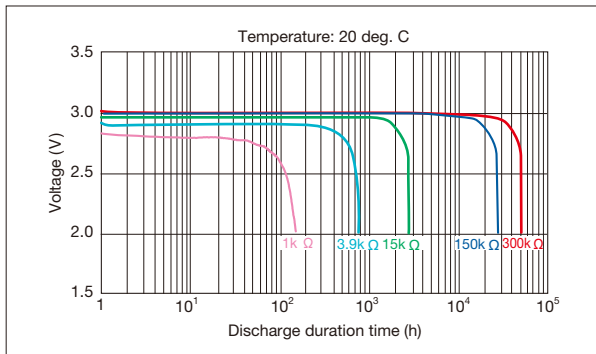
# CR2450HR

<b>Model</b>	CR2450HR
<b>System</b>	Manganese Dioxide-Li/Organic Electrolyte
<b>Nominal Voltage (V)</b>	3
<b>Nominal Capacity (mAh)*</b>	550
<b>Nominal Discharge Current (mA)</b>	0.2
<b>Operating Temperature Range (deg. C)</b>	-40 to +125
<b>Acceleration Resistance</b>	Max. 2000G**
<b>Weight (g)***</b>	6.8
<b>Dimensions (mm)***</b>	
<b>Diameter</b>	24.5
<b>Height</b>	5.0
<b>UL Recognition</b>	MH12568
<b>(Technician Replaceable)</b>	

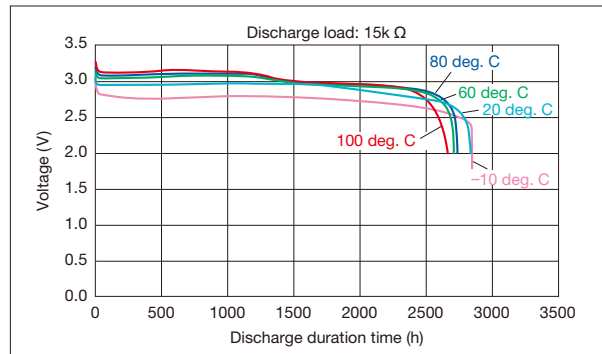


## Characteristics

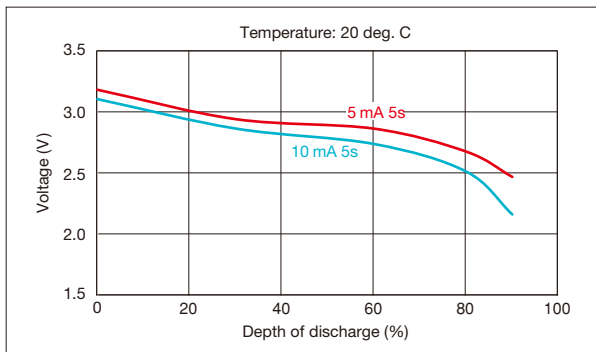
### ● Discharge Characteristics



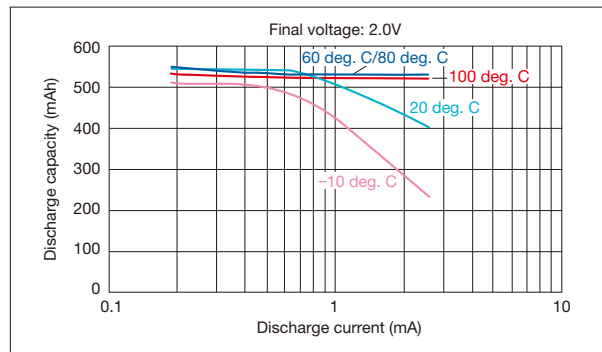
### ● Temperature Characteristics



### ● Minimum Voltage of Pulse Discharge



### ● Relationship between Discharge Current and Discharge Capacity



\* Nominal capacity indicates duration until the voltage drops to 2.0 V when discharged at a nominal discharge current at 20 deg. C.

\*\* Equivalent to acceleration when driving at 300 km/h, when attached to a 17-inch wheel.

\*\*\* Dimensions and weight are for the battery itself, but may vary depending on terminal specifications and other factors.