

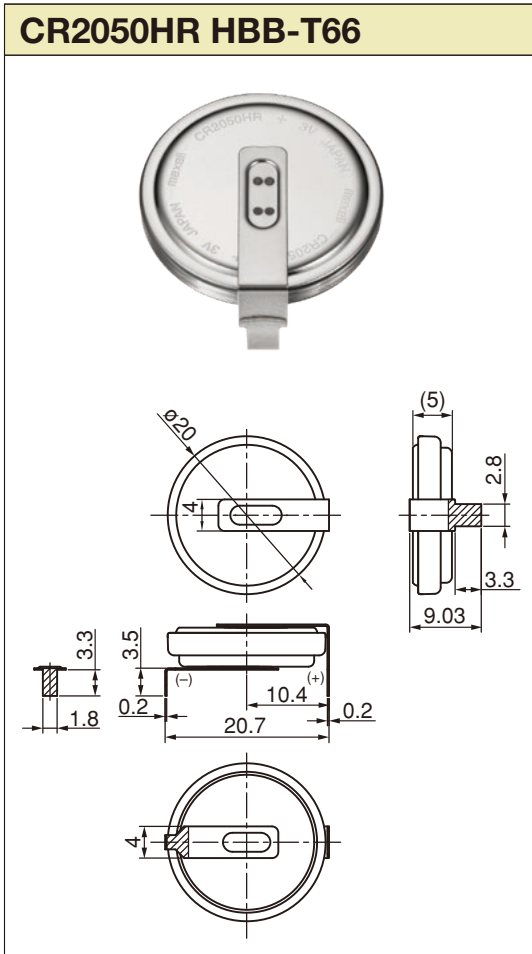
CR2050HR

Diagrams of Batteries with Terminals

External Dimensions (unit: mm)

● Horizontal & Through hole Type

CR2050HR HBB-T66



The above are examples. Processing to meet customer requests is possible.

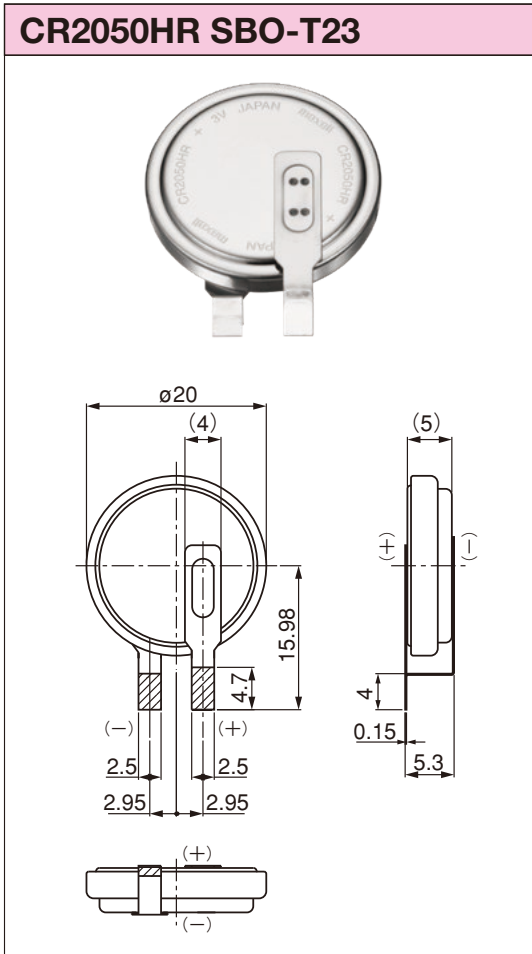
CR2050HR

Diagrams of Batteries with Terminals

External Dimensions (unit: mm)

● Horizontal & Surface mounting Type

CR2050HR SBO-T23



The above are examples. Processing to meet customer requests is possible.