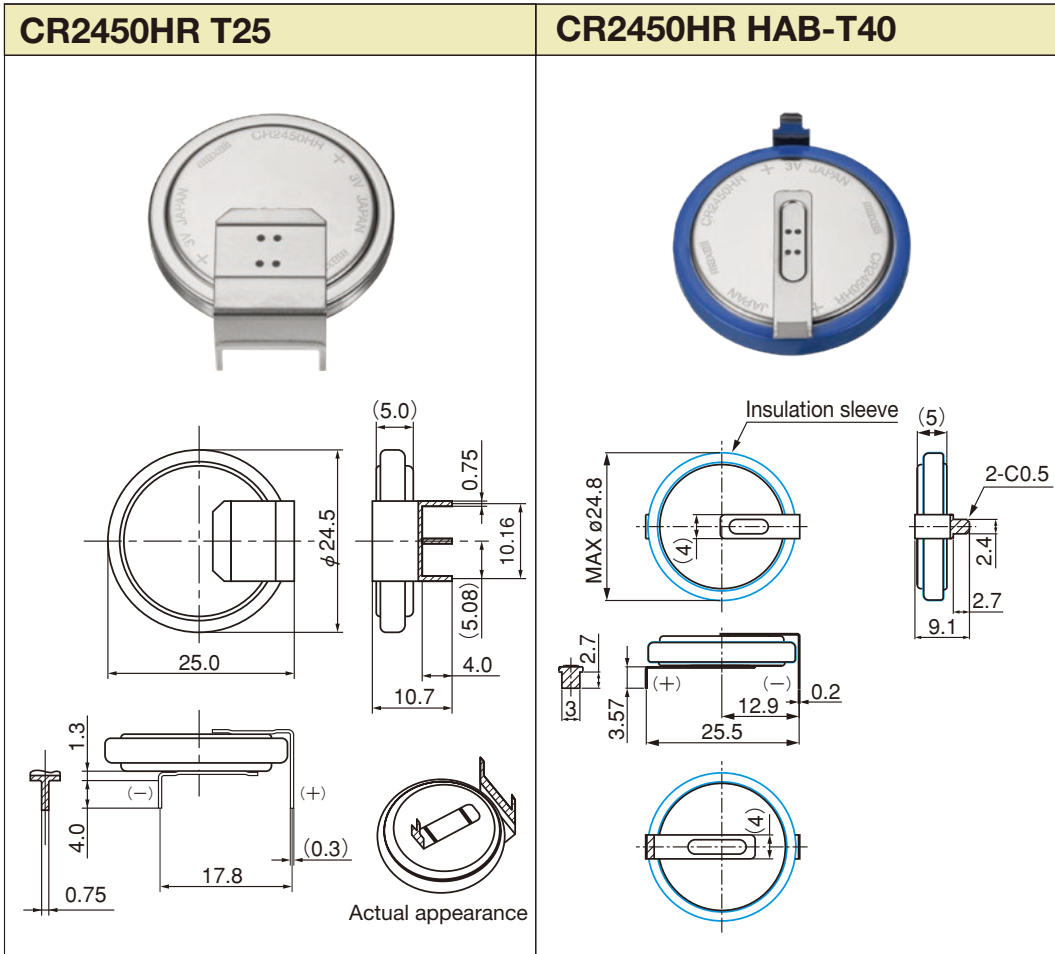


CR2450HR

Diagrams of Batteries with Terminals

External Dimensions (unit: mm)

● Horizontal & Through hole Type



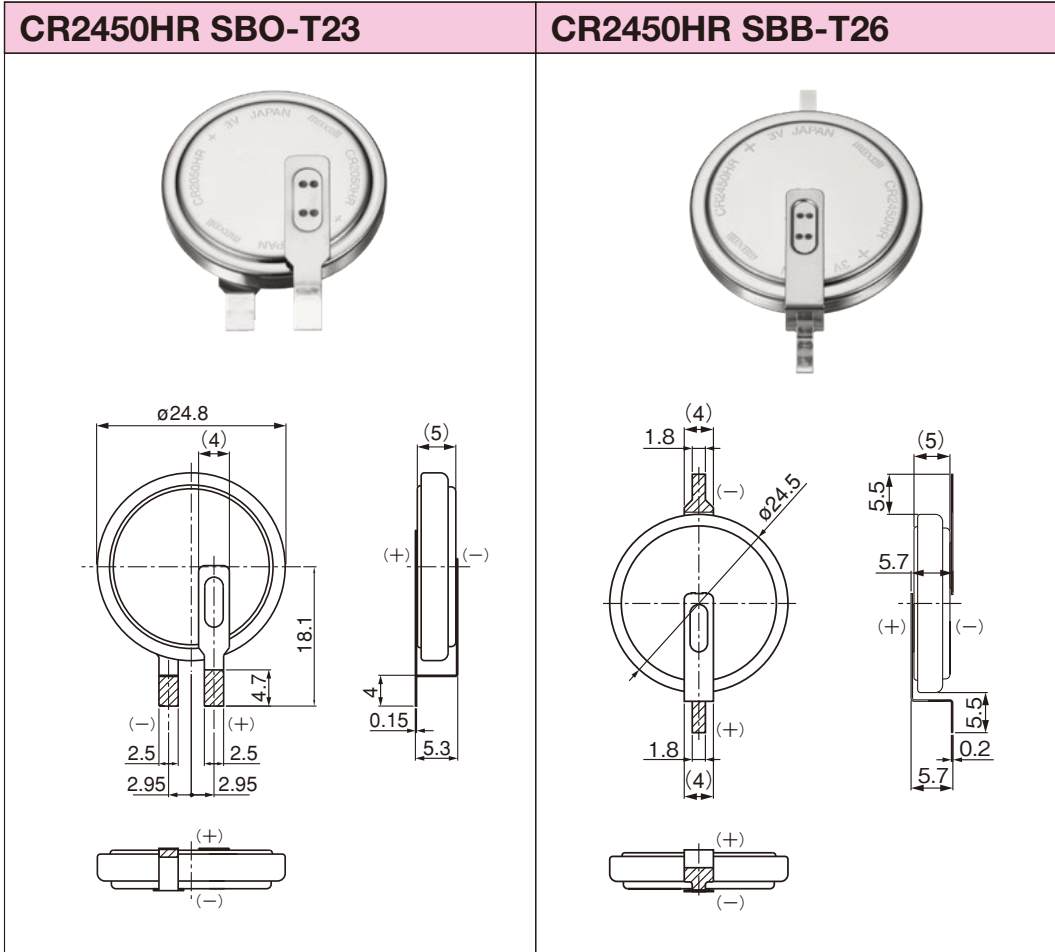
The above are examples. Processing to meet customer requests is possible.

CR2450HR

Diagrams of Batteries with Terminals

External Dimensions (unit: mm)

● Horizontal & Surface mounting Type



The above are examples. Processing to meet customer requests is possible.

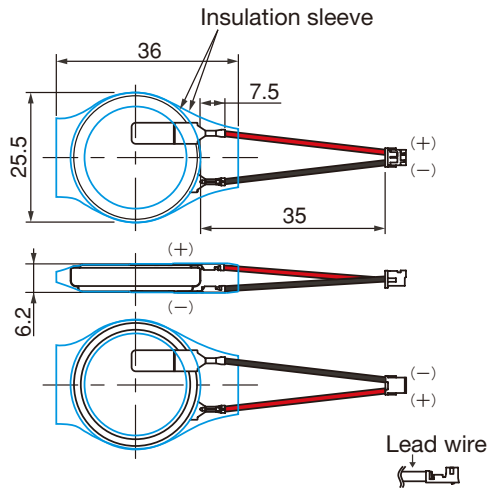
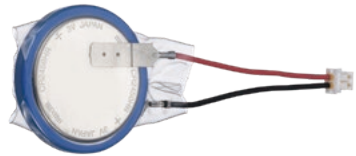
CR2450HR

Diagrams of Batteries with Terminals

External Dimensions (unit: mm)

● Wire connector Type

CR2450HR WK



Housing: ZHR-2 (JST)
Contact: SZH-002GU-P0.5 (JST)
Wire: AWG26 UL1061

The above are examples. Processing to meet customer requests is possible.