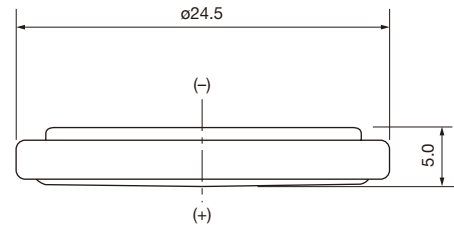


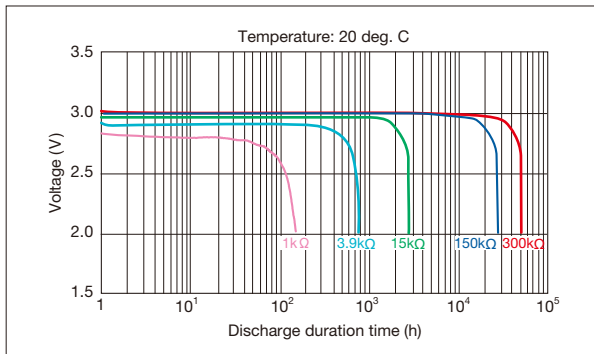
CR2450HR

Model	CR2450HR
System	Manganese Dioxide–Li/Organic Electrolyte
Nominal Voltage (V)	3
Nominal Capacity (mAh)*	550
Nominal Discharge Current (mA)	0.2
Operating Temperature Range (deg. C)	-40 to +125
Acceleration Resistance	Max. 2000G**
Weight (g)***	6.8
Dimensions (mm)***	
Diameter	24.5
Height	5.0
UL Recognition	MH12568
(Technician Replaceable)	

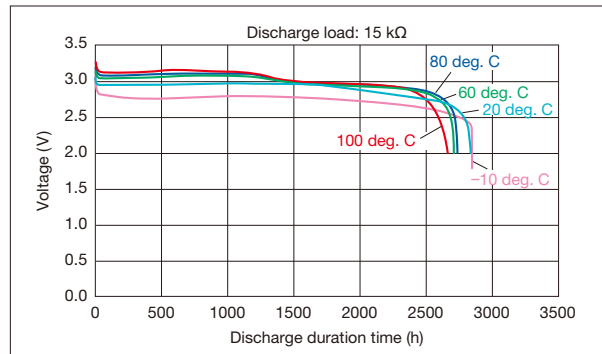


Characteristics

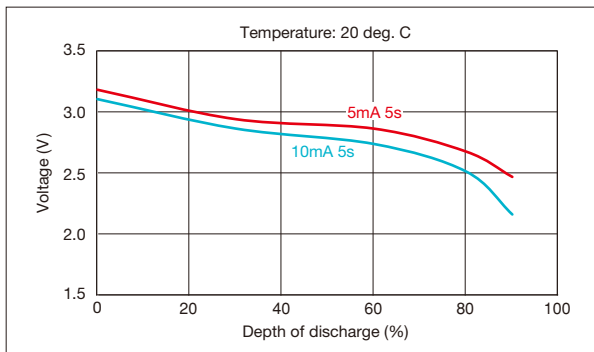
● Discharge Characteristics



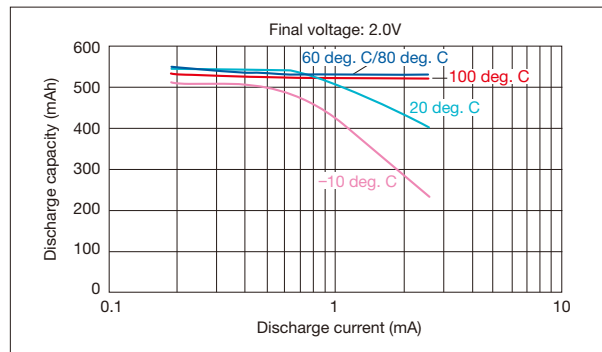
● Temperature Characteristics



● Minimum Voltage of Pulse Discharge



● Relationship between Discharge Current and Discharge Capacity



* Nominal capacity indicates duration until the voltage drops down to 2.0V when discharged at a nominal discharge current at 20 deg. C.

** Equivalent to acceleration when driving at 300km/h, when attached to a 17-inch wheel.

*** Dimensions and weight are for the battery itself, but may vary depending on terminal specifications and other factors.