
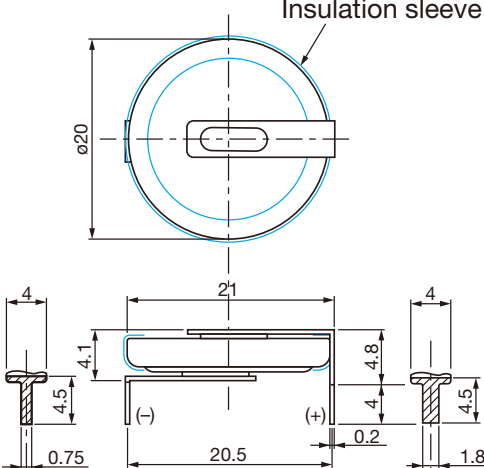

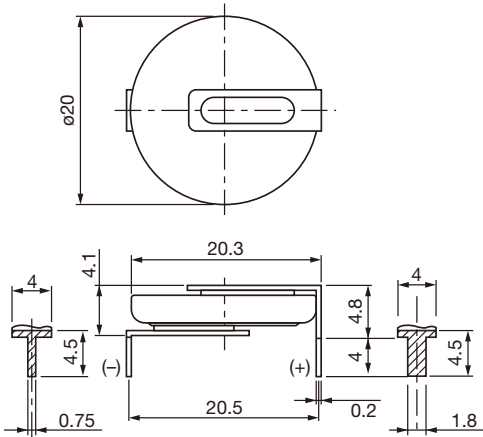

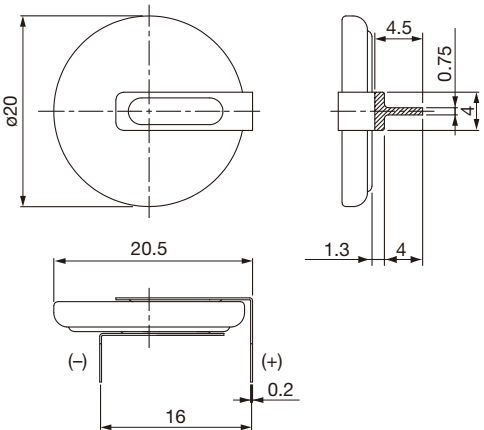

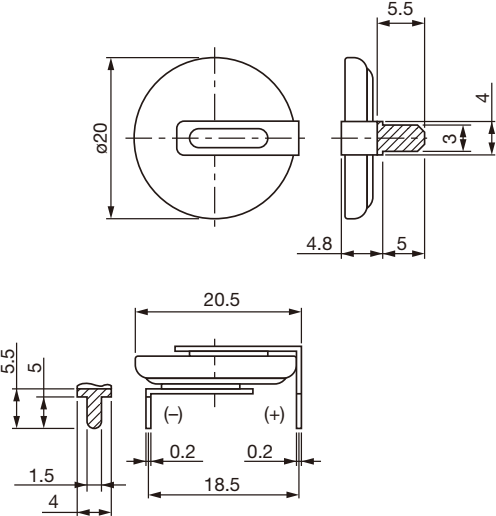


CR2032

Diagrams of Batteries with Terminals

External Dimensions (unit: mm)

● Horizontal & Through hole Type

CR2032 T6	CR2032 T6LES	CR2032 T19	CR2032 T23
 <p>Insulation sleeve</p>  <p>Technical drawings for CR2032 T6 showing top and side views with dimensions: diameter $\phi 20$, terminal length 4.1, terminal width 4, terminal thickness 0.75, terminal offset 0.2, and terminal diameter 1.8.</p>	  <p>Technical drawings for CR2032 T6LES showing top and side views with dimensions: diameter $\phi 20$, terminal length 4.1, terminal width 4, terminal thickness 0.75, terminal offset 0.2, and terminal diameter 1.8.</p>	  <p>Technical drawings for CR2032 T19 showing top and side views with dimensions: diameter $\phi 20$, terminal length 4.5, terminal width 4, terminal thickness 0.75, terminal offset 1.3, and terminal diameter 1.8.</p>	  <p>Technical drawings for CR2032 T23 showing top and side views with dimensions: diameter $\phi 20$, terminal length 5.5, terminal width 4, terminal thickness 3, terminal offset 4.8, terminal diameter 5, and terminal diameter 1.8.</p>

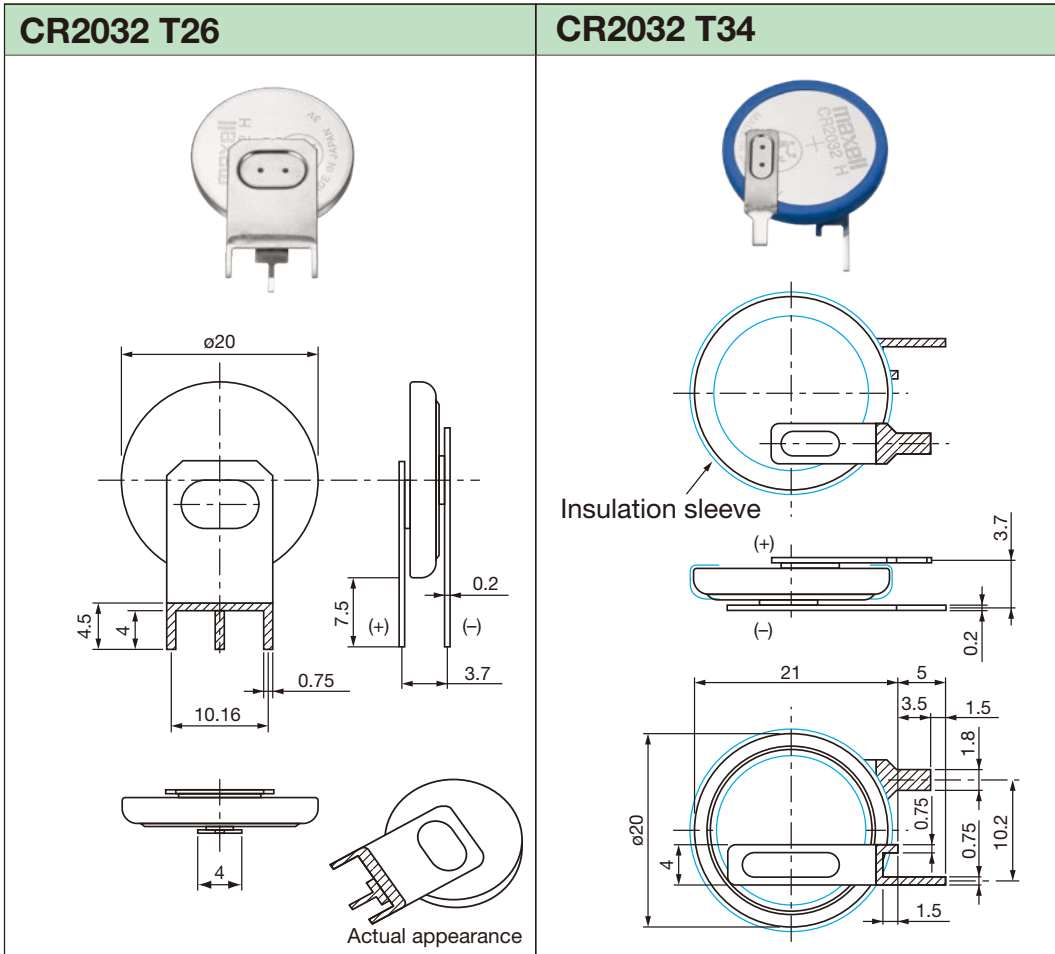
The above are examples. Processing to meet customer requests is possible.

CR2032

Diagrams of Batteries with Terminals

External Dimensions (unit: mm)

● Vertical & Through hole Type



The above are examples. Processing to meet customer requests is possible.

CR2032

Diagrams of Batteries with Terminals

External Dimensions (unit: mm)

● Wire connector Type

CR2032 WK11	CR2032 WK13	CR2032 WK14	CR2032 WK15
<p>Housing: DF13-2S-1.25C (Hirose) Contact: DF13-2630SCF (Hirose) Wire: AWG28 UL1571</p>	<p>Housing: DF13-2S-1.25C (Hirose) Contact: DF13-2630SCF (Hirose) Wire: AWG28 UL1571</p>	<p>Housing: DF3-4S-2C (Hirose) Contact: DF3-2428SCF (Hirose) Wire: AWG26 UL1007</p>	<p>Housing: DF13-2S-1.25C (Hirose) Contact: DF13-2630SCF (Hirose) Wire: AWG28 UL1571</p>

The above are examples. Processing to meet customer requests is possible.