

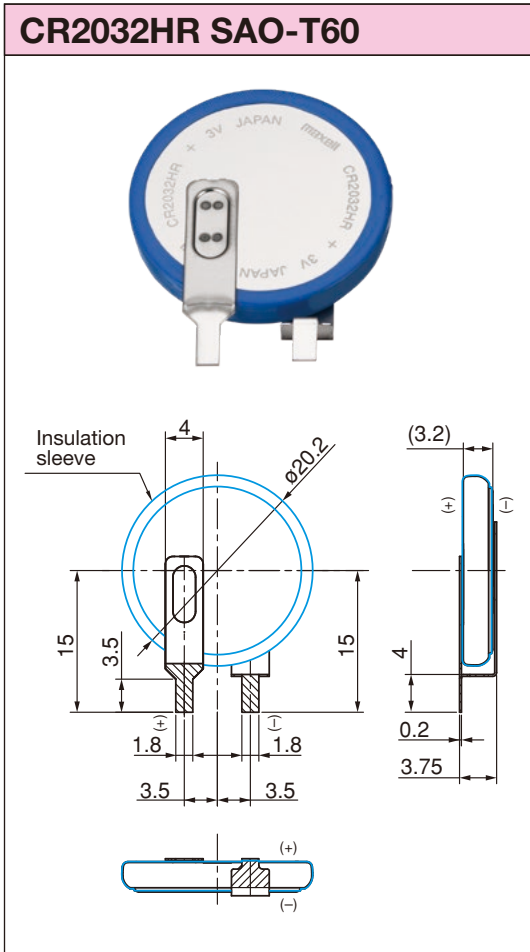
CR2032HR

Diagrams of Batteries with Terminals

External Dimensions (unit: mm)

● Horizontal & Surface mounting Type

CR2032HR SAO-T60



The above are examples. Processing to meet customer requests is possible.