

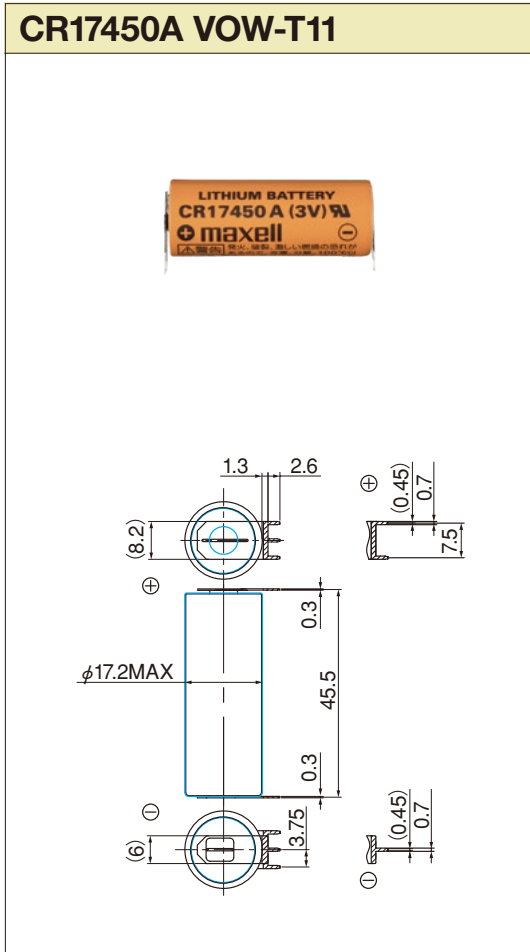
# CR17450A

## Diagrams of Batteries with Terminals

### External Dimensions (unit: mm)

#### ● Horizontal & Through hole Type

#### CR17450A VOW-T11




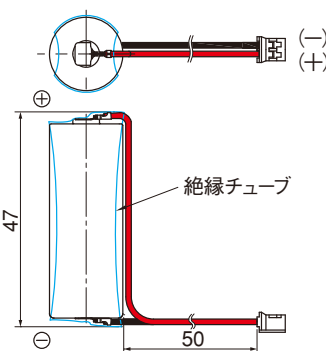

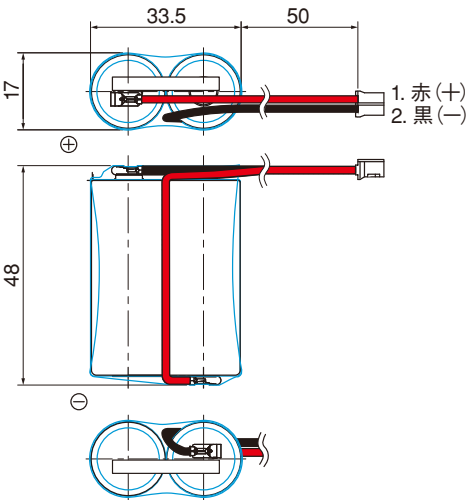
The above are examples. Processing to meet customer requests is possible.

# CR17450A

## Diagrams of Batteries with Terminals

### External Dimensions (unit: mm)

● Wire connector Type

CR17450A WK41	CR17450A-2 WK271
  <p>Housing: PHR-2 (JST)            Contact: SPH-002T-P0.5S (JST)            Lead Wire: AWG26 UL1007</p>	  <p>Housing: PHR-2 (JST)            Contact: SPH-002T-P0.5S (JST)            Lead Wire: AWG24 UL1007</p>

The above are examples. Processing to meet customer requests is possible.