

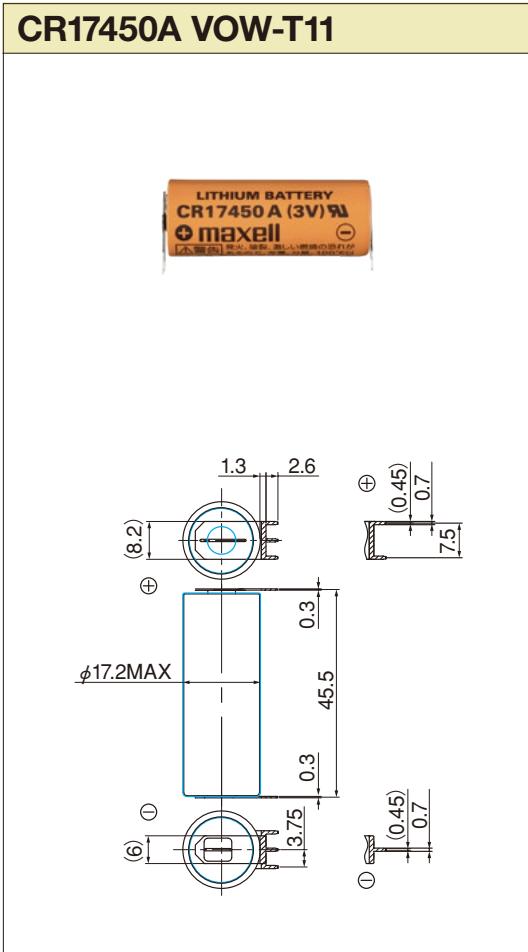
CR17450A

Diagrams of Batteries with Terminals

External Dimensions (unit: mm)

- Horizontal & Through hole Type

CR17450A VOW-T11




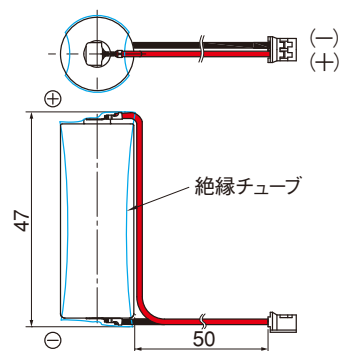

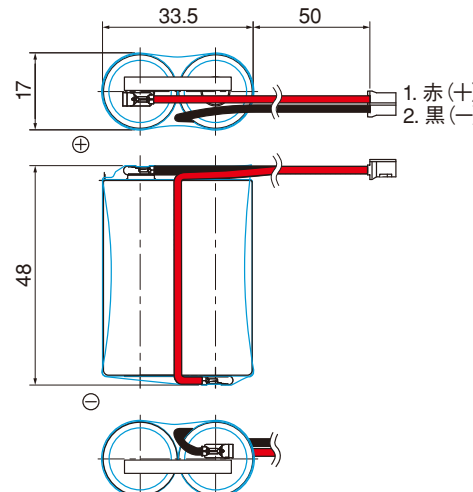
The above are examples. Processing to meet customer requests is possible.

CR17450A

Diagrams of Batteries with Terminals

External Dimensions (unit: mm)

● Wire connector Type

CR17450A WK41	CR17450A-2 WK271
  <p>絶縁チューブ</p> <p>Housing: PHR-2 (JST) Contact: SPH-002T-P0.5S (JST) Lead Wire: AWG26 UL1007</p>	  <p>1. 赤 (+) 2. 黒 (-)</p> <p>Housing: PHR-2 (JST) Contact: SPH-002T-P0.5S (JST) Lead Wire: AWG24 UL1007</p>

The above are examples. Processing to meet customer requests is possible.