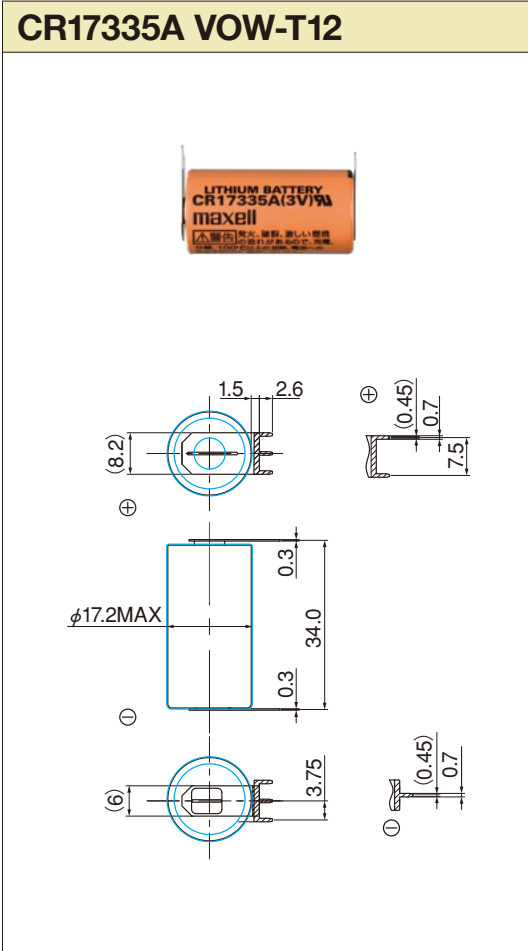


CR17335A (1650mAh) Diagrams of Batteries with Terminals

External Dimensions (unit: mm)

● Horizontal & Through hole Type

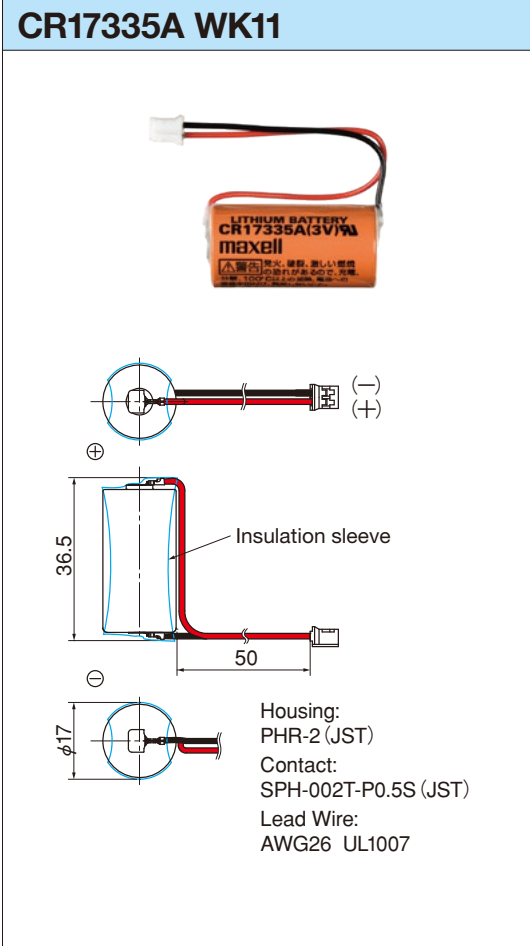


The above are examples. Processing to meet customer requests is possible.

CR17335A (1650mAh) Diagrams of Batteries with Terminals

External Dimensions (unit: mm)

● Wire connector Type



The above are examples. Processing to meet customer requests is possible.