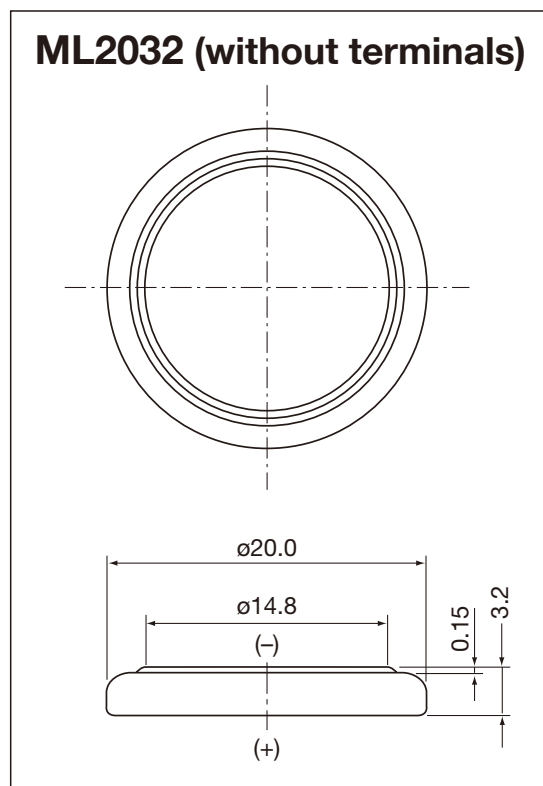


ML2032 (65mAh)

Diagrams of Batteries with Terminals

External Dimensions (unit: mm)

● Horizontal & Through hole Type



ML2032 T6	ML2032 T6 TUBE	ML2032 T14
ML2032 T25	ML2032 T32	

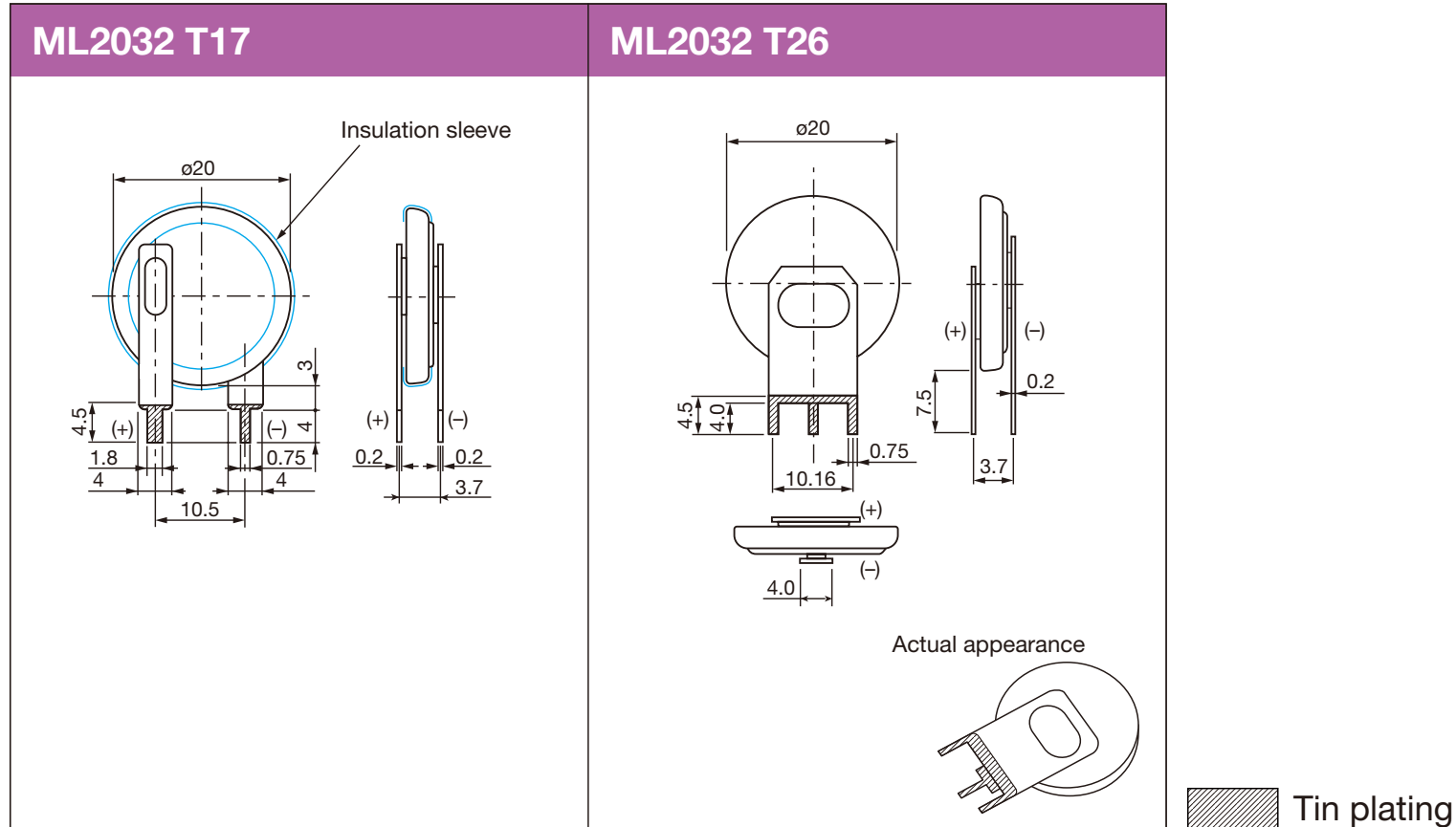
Tin plating

ML2032 (65mAh)

Diagrams of Batteries with Terminals

External Dimensions (unit: mm)

● Vertical & Through hole Type

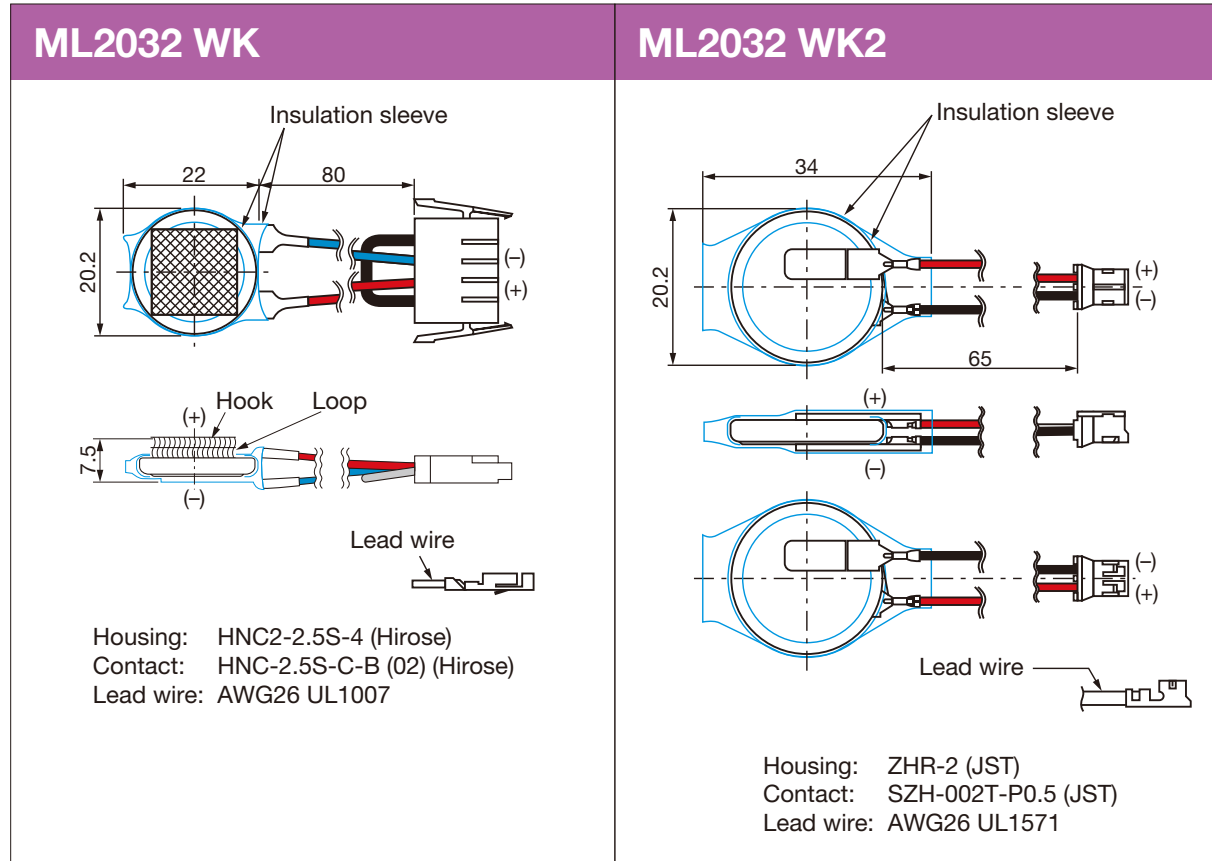


ML2032 (65mAh)

Diagrams of Batteries with Terminals

External Dimensions (unit: mm)

● Wire connector Type



Tin plating